

HIGH
SPEED
DOORS



DynamicRoll®
MS150

TECHNICAL DATA



HIGH SPEED
Up to **1,8 m/s**



PROTECTION



SELF-REPAIR



SAFE



OIL FREE

DynamicRoll® **MS150** is a roll up door for applications where a protective mechanical barrier is needed to protect machineries and automated lines. Equipped with a **safety micro switch** installed in the bottom part of column (accessible), that assures a signal of door closed separately to the control panel.

The curtain is equipped with lateral zippers that assures the sealing of all door columns full height, for ideal protection.

- The door complies with the machinery directive **2006/42/EC** and the directive **2014/30/EU (EMC)**.
- Safety of control circuits **PL D (Performance Level)** according to **EN 13849-1** or **SIL 2 (Safety Integrity Level 2)** according to **IEC 62061**.



| | |
|---------------------------------------|---|
| MAXIMUM DIMENSIONS | W 6.000 mm x H 5.000 mm |
| SPEED | Max opening speed Up to 1,8 m/s |
| | Closing speed 0,8 m/s |
| CYCLES TEST | 1.000.000 |
| WIND RESISTANCE | 3.000 x 3.000 Class 4 |
| STRUCTURE | Not self-supporting |
| FRAME / MOTOR COVER HOOD | Standard Galvanized steel |
| | Optional • Powder coated steel • Stainless steel 441/316 |
| CURTAIN | Standard PVC curtain 1.300 g/m ² , 6 W/m ² K |
| | Optional • Translucent 35/40% • FDA (white) • Antistatic |
| CONTROL PANEL | Standard Powder coated steel box IP54 (300 x 500 x 150 mm) |
| | Optional • Stainless steel • PVC box IP65 (300 x 400 x 150 mm) |
| | Inverter system 50/60 Hz with absolute encoder |
| | Power supply 1-ph, 230V max 16A |
| | Power supply 3-ph, 400V max 10A |
| | Power supply 3-ph, 230V max 16A |
| | Start/ Stop button |
| | 2 free contacts (door open / closed / alarm) |
| | Automatic / Manual Interlocking between 2 doors |
| | IP rating for motor and control panel IP54 |
| WIRING | Plug and Play IP65 system |
| SAFETIES | Standard Multi ray light curtain barrier H 2500 IP67 |
| EMERGENCY OPENING | Standard Hand crank |
| | Optional Chain system Counterweight system UPS battery |
| ADVISING OPERATIVE TEMPERATURE | Operating till -30 C°* with heating kit added - Not apt to be installed in negative/positive temperature |

EN13241 CERTIFICATION

| STANDARD | REF. | TEST ACC. | RESULTS |
|-----------------------|----------|-----------|------------|
| WATER PERMEABILITY | EN 12425 | EN 12489 | Class 2 |
| WIND LOAD | EN 12424 | EN 12444 | Class 4 |
| WIND PERMEABILITY | EN 12426 | EN 12427 | Class 1 |
| SAFE OPENINGS | EN 12453 | EN 12445 | ✓ |
| MECHANICAL RESISTANCE | EN 12604 | EN 12605 | ✓ |
| UNINTENDED MOVEMENTS | EN 12604 | EN 12605 | ✓ |
| THERMAL TRANSMITTANCE | EN 12428 | EN 12428 | 6,02 W/m²K |
| PERFORMANCE (CYCLES) | EN 12604 | EN 12605 | 1.000.000 |

Values can change depending on door dimensions

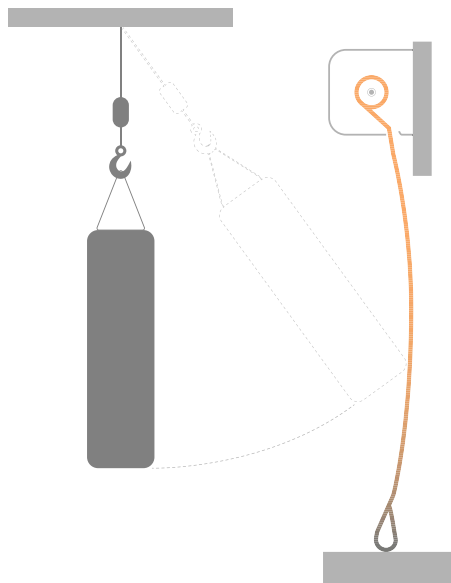
IMPACT TEST

EN ISO 14120
CERTIFICATION

100 x 6
KG KM/H

Tested impact energy **115**
JOULES

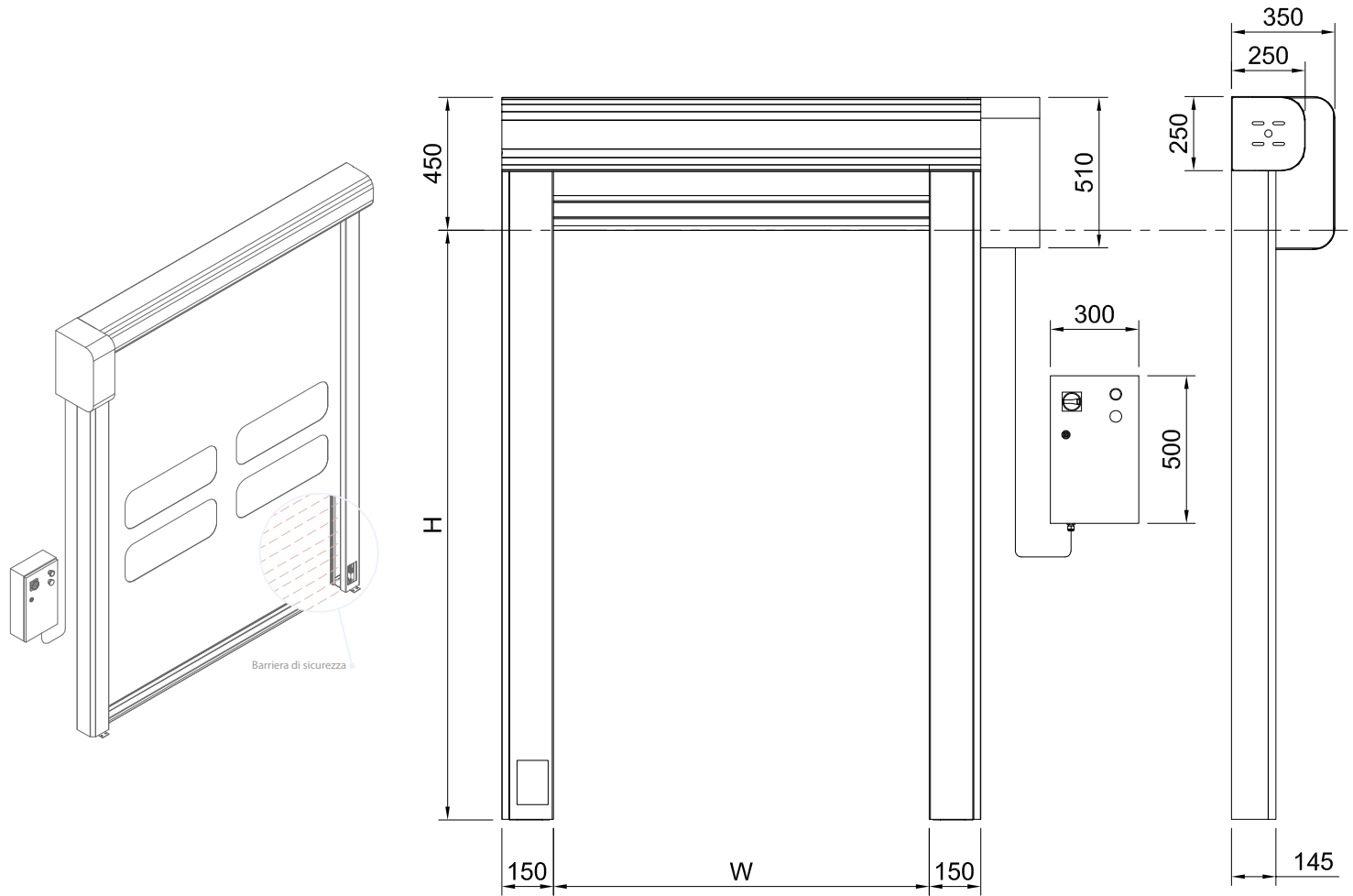
(Annex C - C.2.5.1)



APPLICATIONS



DOOR SPACE REQUIREMENTS



FIXING DETAILS



PVC CHARACTERISTICS

STANDARD PVC

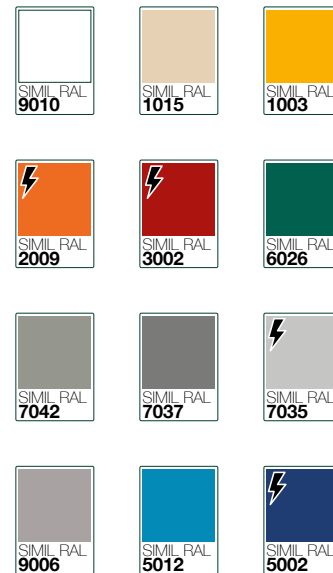
Composition and tests

| EXTERNAL SIDE | | | |
|---|-----------|----------------|----------------------|
| Material | Finishing | Color | Thick |
| PVC | Opaque | 12 standard | 0,7 mm |
| FABRIC | | | |
| Material | N. tarps | Title | EN 2286-2 |
| PES | 1 | 1100Dtex 12x12 | 900 g/m ² |
| INTERNAL SIDE | | | |
| Material | Finishing | Color | Thick |
| PVC | Rough | 12 standard | 0,2 mm |
| COLD RESISTANCE ISO 4675/90 -50°C ±5 | | | |
| HYDROLYSIS TEST 75°C 95% humidity none variation | | | |
| GAS OIL TEST ISO 1421 none variation | | | |
| MARINE WATER TEST (ISO 1421) none variation | | | |
| OZONE TEST ISO 3011 none crack | | | |
| T. STORAGE (°C) -30 +65 | | | |
| FLAME TEST (ISO 3795) < 100 mm/min | | | |
| PERFORATION RINA 3.A1.2.7 (N) > 100 | | | |
| EXERCISE 7 days -70°C ISO 6065 none variation | | | |

Characteristics

| |
|---|
| THICK ISO 2286/3 (mm) 0,9±0,1 |
| WEIGHT ISO 2286/2 (kg/m ²) 0,90±0,1 |
| LOAD BREAK ISO 1421 6000 N/50mm |
| WARP EXTENSION ISO 1421 4300 N/50mm |
| TEXTURE EXTENSION ISO 1421 4000 N/50mm |
| WARP BREAK dIN 53 363 (N) > 600 |
| TEXTURE BREAK dIN 53 363 (N) > 530 |
| ADHESION dIN EN ISO 2411 130 N/50mm |
| EEC CONFORMITY - Yes |
| SPECIFIC USE industry, refrigerators, car washes, supermarkets, warehouses |
| ASSOCIATION - |

Colors



⚡ Antistatic available

INSULATED PVC

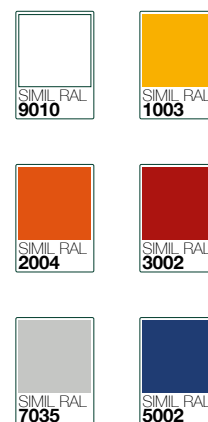
Composition and tests

| EXTERNAL SIDE | | | |
|---|-----------|----------------|-----------------------|
| Material | Finishing | Color | Thick |
| PVC | Straight | 4 standard | 0,5 mm |
| FABRIC | | | |
| Material | N. tarps | Title | EN 2286-2 |
| PES | 1 | 1100Dtex 12x12 | 1350 g/m ² |
| INTERNAL SIDE | | | |
| Material | Finishing | Color | Thick |
| PVC | Sponge | 4 standard | 7 mm |
| COLD RESISTANCE ISO 4675/90 -10°C ±5 | | | |
| HYDROLYSIS TEST 75°C 95% humidity none variation | | | |
| GAS OIL TEST ISO 1421 none variation | | | |
| MARINE WATER TEST (ISO 1421) none variation | | | |
| OZONE TEST ISO 3011 none crack | | | |
| T. STORAGE (°C) -30 +65 | | | |
| FLAME TEST ISO 3795 cl 2, NFPA 701 test 2 | | | |
| PERFORATION RINA 3.A1.2.7 (N) > 100 | | | |
| EXERCISE 7 days -70°C ISO 6065 none variation | | | |

Characteristics

| |
|---|
| THICK ISO 2286/3 (mm) 7,0±0,1 |
| WEIGHT ISO 2286/2 (kg/m ²) 1,7±0,1 |
| LOAD BREAK ISO 1421 6000 N/50mm |
| WARP EXTENSION ISO 1421/V1 3000 N/50mm |
| TEXTURE EXTENSION ISO 1421/V1 2800 N/50mm |
| WARP BREAK dIN 53 363 300 N |
| TEXTURE BREAK dIN 53 363 300 N |
| ADHESION PA 09,03 (internal) 15 N/cm |
| THERMAL CONDUCTIVITY - 0,03782 W.m ⁻¹ |
| ISOLATION INDEX - Rw= 17,5 dB |
| EMPLOYMENT industry, refrigerators, car washes, supermarkets, warehouses |
| ASSOCIATION - |

Colors



CRISTAL CHARACTERISTICS

PVC SUPERCLEAR

WINDOWS - CRISTAL TECHNICAL DATA

| | |
|---------|----------------------|
| Article | SUPERCLEAR 1.2 mm FR |
|---------|----------------------|

| Technical Specifications | Standards | Unit | Values |
|---------------------------------------|--------------|------------------|--------|
| Thickness | - | mm. | 1.2 |
| PVC total weight | - | g/m ² | 1200 |
| Ligth transmission | JIS K - 7361 | % | 97.3 |
| Tensile strength <i>Lenghtwise MD</i> | JIS K - 6732 | N | 26.1 |
| Tensile strength <i>Crosswise TD</i> | JIS K - 6732 | N | 24.3 |
| Tear strength <i>Lenghtwise MD</i> | JIS K - 6732 | N | 63.4 |
| Tear strength <i>Crosswise TD</i> | JIS K - 6732 | N | 63.9 |
| Elongation <i>Lenghtwise MD</i> | JIS K - 6732 | % | 377 |
| Elongation <i>Crosswise TD</i> | JIS K - 6732 | % | 378 |
| Cold crack resistance | JIS K - 6772 | °C | -45 |

OPTIONAL ACCESSORIES

RADAR



OPENING POINT
RADAR TOF/SPOT
for internal use only



INFRARED RADAR
with cross-movement
adjustment



INFRARED RADAR
motion and presence
(pedestrian/forklift) radar

TRAFFIC LIGHTS



GREEN FIXED STANDARD
traffic light



RED FIXED STANDARD
traffic light



LED TRAFFIC LIGHT
with countdown



LED TRAFFIC LIGHT
BARRIERS
(connection card included)

BUTTONS



OPENING GREEN
BUTTON
with box



OPENING BLACK
BUTTON
with box



FREEZE STOP BUTTON
with box



NO TOUCH
BUTTON



WIND GAUGE



KEY
SELECTOR



REMOTE CONTROL



BOLLARD B-PROTECT



PULL CORD SWITCH



MAGNETIC LOOP DETECTOR

Quality products since 1997

BMP EUROPE HIGH SPEED DOORS
Strada della Freisa 1 - Villanova d'Asti 14019 (AT)
+39 0141 948843
www.bmpdoors.com - info@bmpdoors.com

10/2021